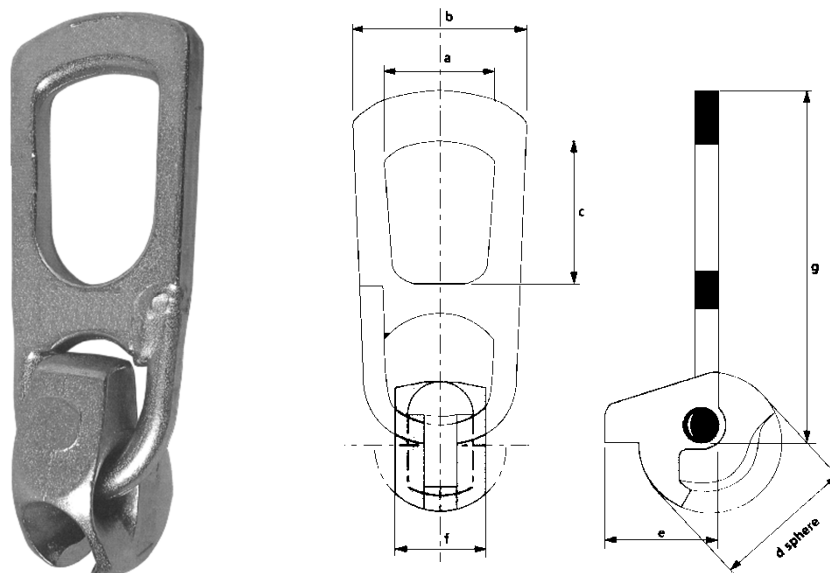


EKC SPHERICAL HEAD LIFTING SHACKLE



The spherical head lifting shackle is used with the spherical head lifting pins. Even under load, movement is possible and if correctly fitted uncoupling is impossible.

Note: Shackles are suitable to fit a range of pin sizes as below.

1.3T pins = 1.3T Shackle

2.5T pins = 2.5T Shackle

4T & 5T pins = 5T Shackle

7.5T & 10T pins = 10T Shackle

15T & 20T pins = 20T Shackle

32T pins = 32T Shackle

| SWL TONNE | Code | A (mm) | B (mm) | C (mm) | D (mm) | E (mm) | F (mm) | G (mm) | Weight (Kg) |
|-----------|--------|--------|--------|--------|--------|--------|--------|--------|-------------|
| 1.3 | 640130 | 44 | 73 | 71 | 58 | 50 | 36 | 160 | 1.00 |
| 2.5 | 640250 | 50 | 85 | 85 | 65 | 60 | 42 | 195 | 1.90 |
| 5.0 | 640500 | 70 | 115 | 88 | 82 | 80 | 57 | 237 | 3.25 |
| 10.0 | 641000 | 90 | 140 | 121 | 112 | 118 | 77 | 348 | 9.65 |
| 20.0 | 642000 | 110 | 195 | 150 | 152 | 170 | 114 | 440 | 19.75 |
| 32.0 | 643200 | 160 | 250 | 189 | 195 | 214 | 151 | 584 | 34.00 |