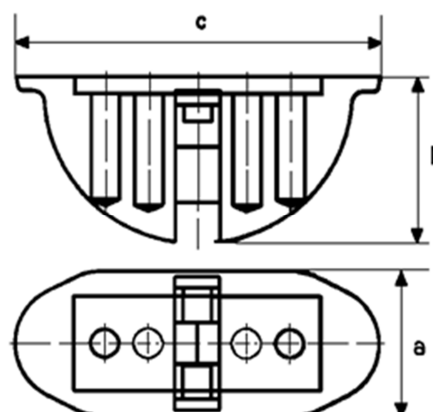


EKC SPREAD ANCHOR RUBBER FORMER



Forming device for the spread anchor lifting system, installation occurs through a fixing plate. The former provides a void for insertion of a ring clutch.

| SWL TONNE | CODE | DIMENSIONS | | |
|--------------|--------|------------|-----------|-----------|
| | | a (mm) | b (mm) | c (mm) |
| 2.5 | 670020 | 40 | 47 | 102 |
| 5.0 | 670021 | 51 | 59 | 126 |
| 7.5 / 10.0 | 670022 | 53 | 84 | 184 |